

## TruMac<sup>®</sup> Series Macro Determinator

# TruMac Series Macro Determinator

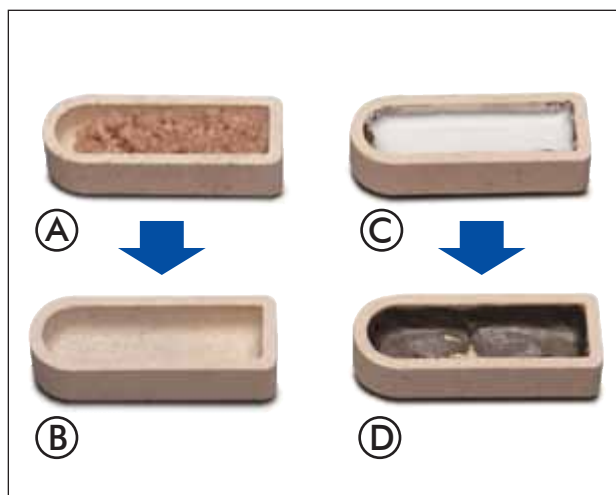
## Designed to meet your goals for analyzing true macro samples

Easily handle characteristically heterogeneous, difficult to prepare, or low-level samples with the TruMac carbon/nitrogen determinator. Nitrogen sample mass up to 3 g or carbon/nitrogen samples up to 1 g can be analyzed in as little as 5 minutes with a low cost-per-analysis.

A unique ceramic horizontal furnace, combined with LECO's patented carbon/nitrogen determinator design, make the TruMac ideal for a variety of applications including soils, feeds, meats, starches, slurries, or wastewater. In addition, the TruMac complies with AOAC, AACC, AOCS, and ASBC methods of analysis.



## Rapid Analysis Times & Integrated Automation for Macro Samples

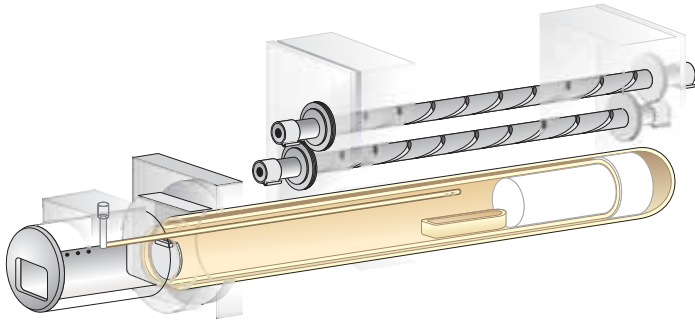


Oversized sample boats are perfect for solid (A) or liquid (C) macro samples. Following combustion, sample ash is retained in the boats (B & D) for easy clean-up.



Autoloader increases sample throughput.

# Instrument Highlights and Features



## Unique Ceramic Horizontal Furnace

- Pure oxygen environment ensures the complete oxidation of macro samples with maximum temperatures up to 1450°C
- Ceramic lance directs oxygen flow directly onto the sample
- Robust design utilizes 6 heating elements for increased reliability and efficiency
- Purge chamber eliminates atmosphere entrainment in samples

## Easy and Convenient Sample Handling

- Large, reusable sample boats facilitate the handling of macro samples
- Open ceramic boats provide ample surface area for the efficient purge and combustion of macro samples
- Sample ash retained in boat for post-analysis removal
- Foil liners available for the analysis of macro liquid samples



## Seamless Integrated Automation

- Autoloader for sequential and non-sequential analysis of up to 50 pre-weighed samples
- Rugged design for improved reliability and minimal maintenance requirements
- Full automation of analysis cycle, freeing operator to perform other tasks

## Combustion Gas Handling and Aliquot Dosing System

- Efficient Thermo Electric Cooler removes moisture from combustion gas, eliminating the need for chemical anhydride
- Ballast allows for collection of aliquot for nitrogen and carbon detection
- Eliminates the need for whole gas analysis
- Greatly extends the lifetime of carbon scrubber and reduction reagents, lowering cost-per-analysis and instrument downtime

