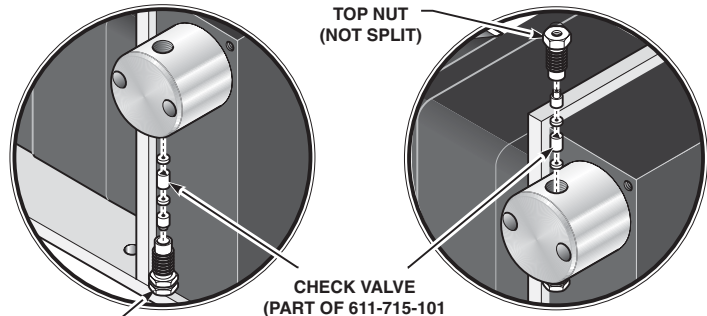
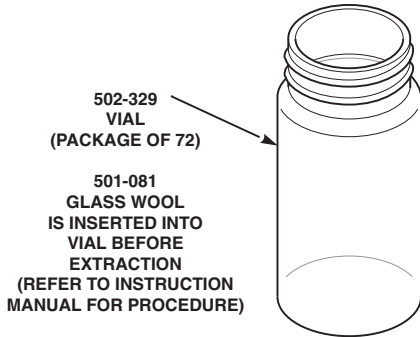
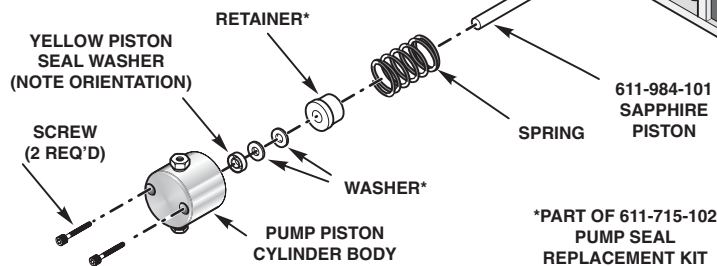
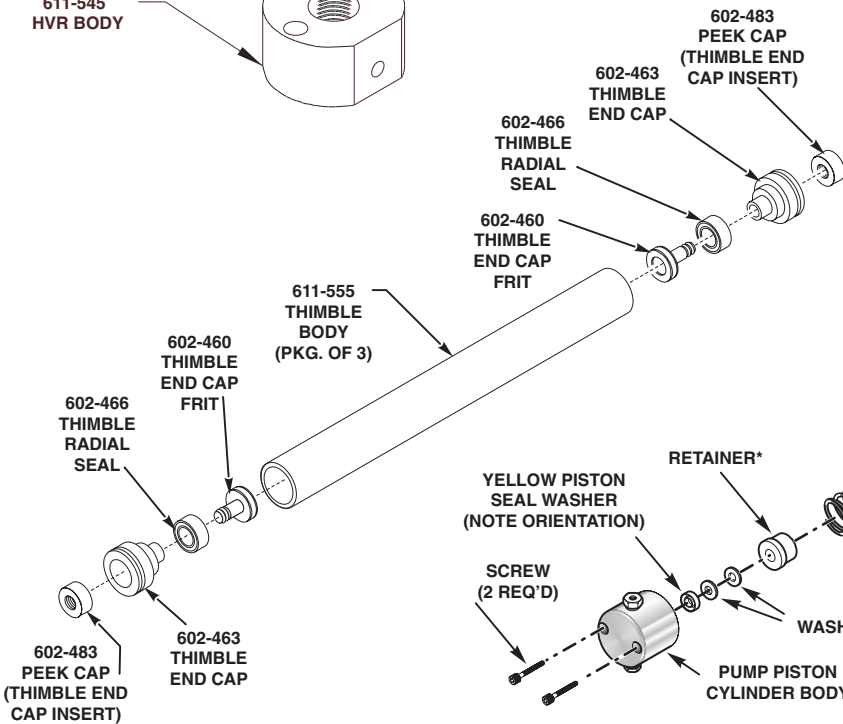
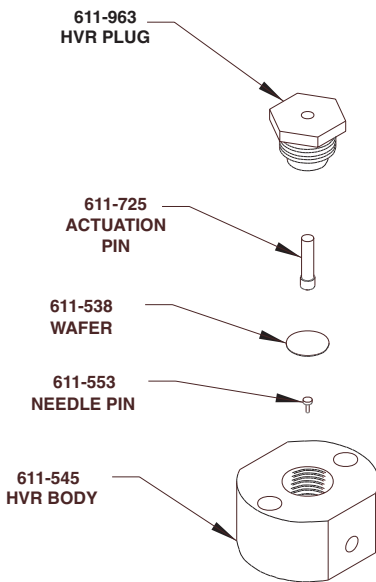
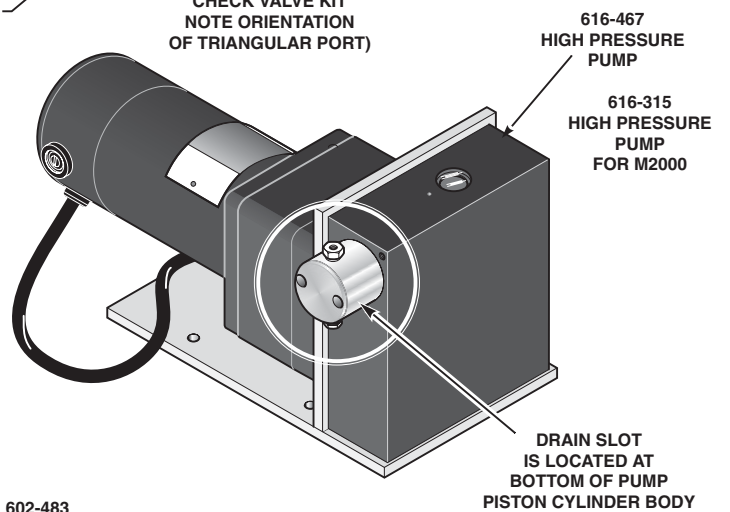


Note: Part numbers and standards' values may change. Consult LECO for the latest information.



BOTTOM NUT
(SPLIT NUT)
MUST BE AT
BOTTOM OF
PUMP PISTON
CYLINDER BODY
(SIDE WITH
DRAIN SLOT)



See reverse side for contact information

CONSUMABLES

501-081 Glass Wool, 454 g (1 lb.) box
 611-553 HVR Needle Pins
 611-538 HVR Wafers
 502-327 LECO-Dry, 454 g (1 lb.)
 611-715-101 Pump Check Valve Replacement Kit
 611-715-102 Pump Seal
 502-329 Collection Vial, 72/pkg
 602-466 Thimble Radial Seal (cap)
 602-483 Peek Cap (thimble end cap insert)
 502-369 Kimwipes®

SPARES

611-539 HVR Assembly
 611-963 HVR Plug
 611-725 Actuation Pin
 611-545 HVR Body
 203-913 Paper, Inkjet (500 sheets)
 601-483 Paper, Tractor Feed (500 sheets)
 601-484 Printer Ribbon (for dot matrix printer)
 611-984-101 Pump Piston (sapphire)
 602-460 Thimble End Cap Frit Assembly
 602-463 Thimble End Cap
 602-464 Thimble Cap Assembly, 1/pkg
 602-485 Thimble Cap Assembly, 6/pkg
 611-277 Thimble Cap, Dummy
 611-555 Thimble Body, 3/pkg
 616-467 High Pressure Pump with Switch
 616-315 High Pressure Pump with Switch (for M2000)

OPERATION ACCESSORIES

501-439 Paraffin Sample, 118 ml.
 611-842 Beaker, 50 ml.
 611-898 Brush (Modified)
 602-467 Funnel
 502-213 Leak Detection Solution, 4 oz.
 611-890 Sample Rack (thimble holder)
 611-843 Scoop, Metal
 776-978 Scoop, Glass
 611-844 Spoon, Stainless Steel
 611-815 Tray Assembly Rack
 611-864 Wrench (for stainless steel tubing)

OPTIONS

751-300-140 Balance and Interface Kit
 700-689 Printer Cable Assembly
 601-480-110 Dot Matrix Printer Kit, 115 VAC
 611-298-110 Dot Matrix Printer Kit, 230 VAC
 615-943 CGA34 Gas Regulator, 500 psi
 621-434-110 Inkjet Printer Kit
 605-980 Keyboard
 603-600-310 PC Option with Software, Interface Card,
 Interface Cable, and Monitor
 603-600-500 M2000 Modifier Addition System

*NOTE: Part numbers and standards' values may change.
 Consult LECO for latest information.*

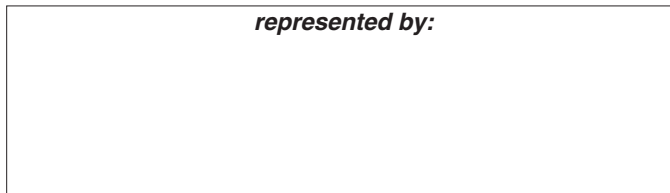
United States:

Ph: 1-800-292-6141
Fax: 269-982-8977

Canada:

Ph: 1-800-268-0215
Fax: 905-564-6582

represented by:

**Other Countries:**

Ph: 269-983-5531
Fax: 269-983-3850

© 2010 LECO Corporation